

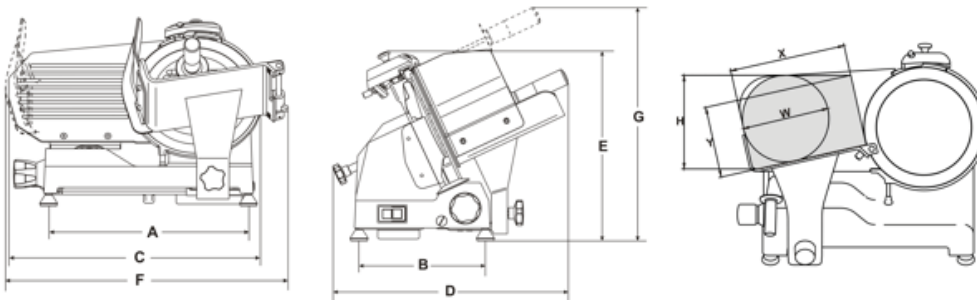
**MIRRA 300**



- Anodized cast aluminium alloy.
- Great distance between blade and motor for easy cleaning.
- Ventilated motor.
- Forged, hardened large thickness blades.
- Carriage running on self-lubricating bushes and lapped pins.
- Stainless steel screws and slice deflector.
- Strong thickness gauge support.
- Cast-in sharpener assembly.
- Compact dimensions and great cutting capacity.
- CE professional with device for releasing the carriage.
- Teflon coated or toothed blades are available on demand.

DETTAGLI

DATI TECNICI



<b>Model</b>	MIRRA 300
<b>Blade</b>	mm 300 - inches 12"
<b>Motor</b>	Watt 210 - Hp 0,29
<b>Cut thickness</b>	mm 13
<b>Run of carriage</b>	mm 285
<b>Hopper</b>	mm 250x275
<b>A</b>	mm 435
<b>B</b>	mm 295
<b>C</b>	mm 600
<b>D</b>	mm 610
<b>E</b>	mm 420
<b>F</b>	mm 640
<b>G</b>	mm 510
<b>X</b>	mm 250
<b>Y</b>	mm 185
<b>H</b>	mm 225
<b>W</b>	mm 210
<b>Net weight</b>	Kg 21
<b>Shipping dimension</b>	mm 800x600x520
<b>Gross weight</b>	Kg 26